

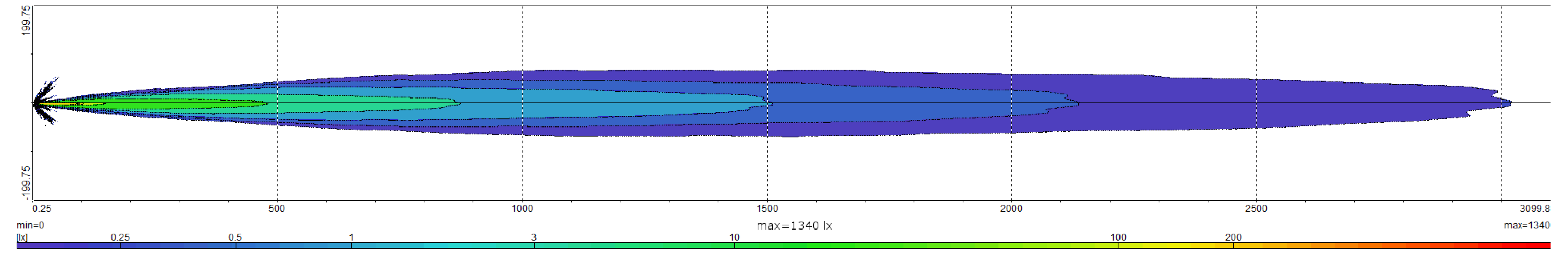


DRAWING REVISION INFORMATION					
ZONE	REV.	CHANGE No.	DESCRIPTION	DATE	APPROVED
	1	N/A	INITIAL RELEASE	23-02-17	B. R-SMITH

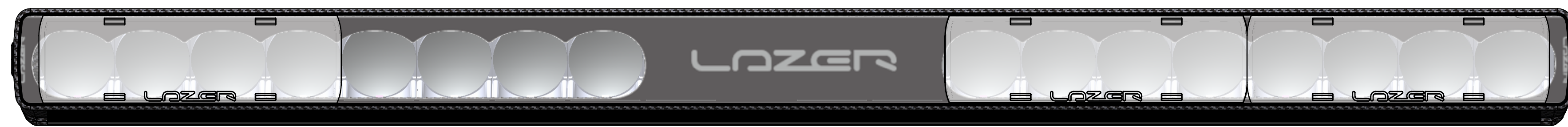
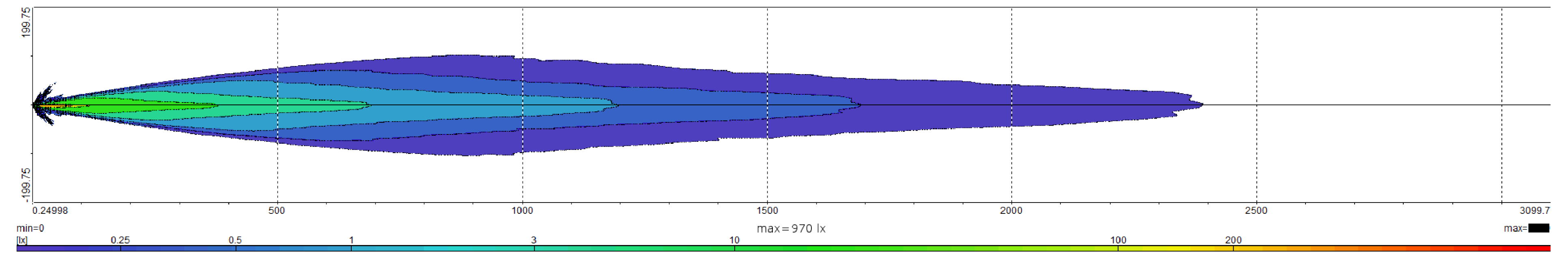


CARBON-16

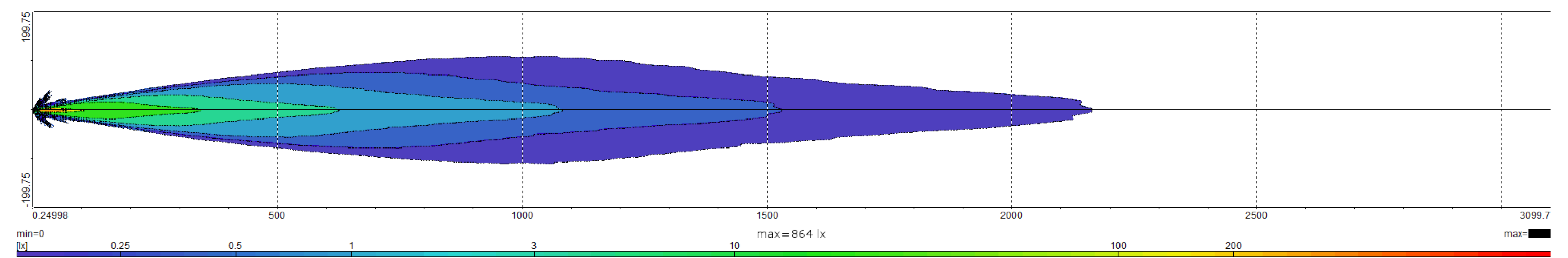
0.25 LUX LINE @ 2721M  
 0.50 LUX LINE @ 1924M  
 1.00 LUX LINE @ 1361M  
 3.00 LUX LINE @ 786M  
 MEASURED DATA



CARBON-16  
 15 DEGREE REEDED LENSES



CARBON-16  
 15 DEGREE REEDED LENSES OUTBOARD, VARIABLE REEDED LENS OFF CENTRE RHS



**LAZER LAMPS CARBON-16 SERIES**

**MATERIALS**

- CARBON FIBRE HOUSING
- HARDCOATED PC LENS WITH INTERNAL PRINTED BLACKOUT
- ALUMINIUM HEATSINK

**WEIGHT**

- CARBON 16 LIGHT ASY = 1.350KG

**PHOTOMETRIC PERFORMANCE**

- 18040 LUMENS
- LED LIFE 50K HRS
- OPTICAL EFFICIENCY 96%
- HIGH INTENSITY LED'S

**POWER CONSUMPTION/INFORMATION**

- 176W

**ELECTRICAL CONNECTOR**

- SUPPLIED STANDARD WITH BINDER CONNECTOR
- CUSTOM CONNECTOR OPTIONS CAN BE ENGINEERED AT REQUEST

**VOLTAGE REQUIREMENTS**

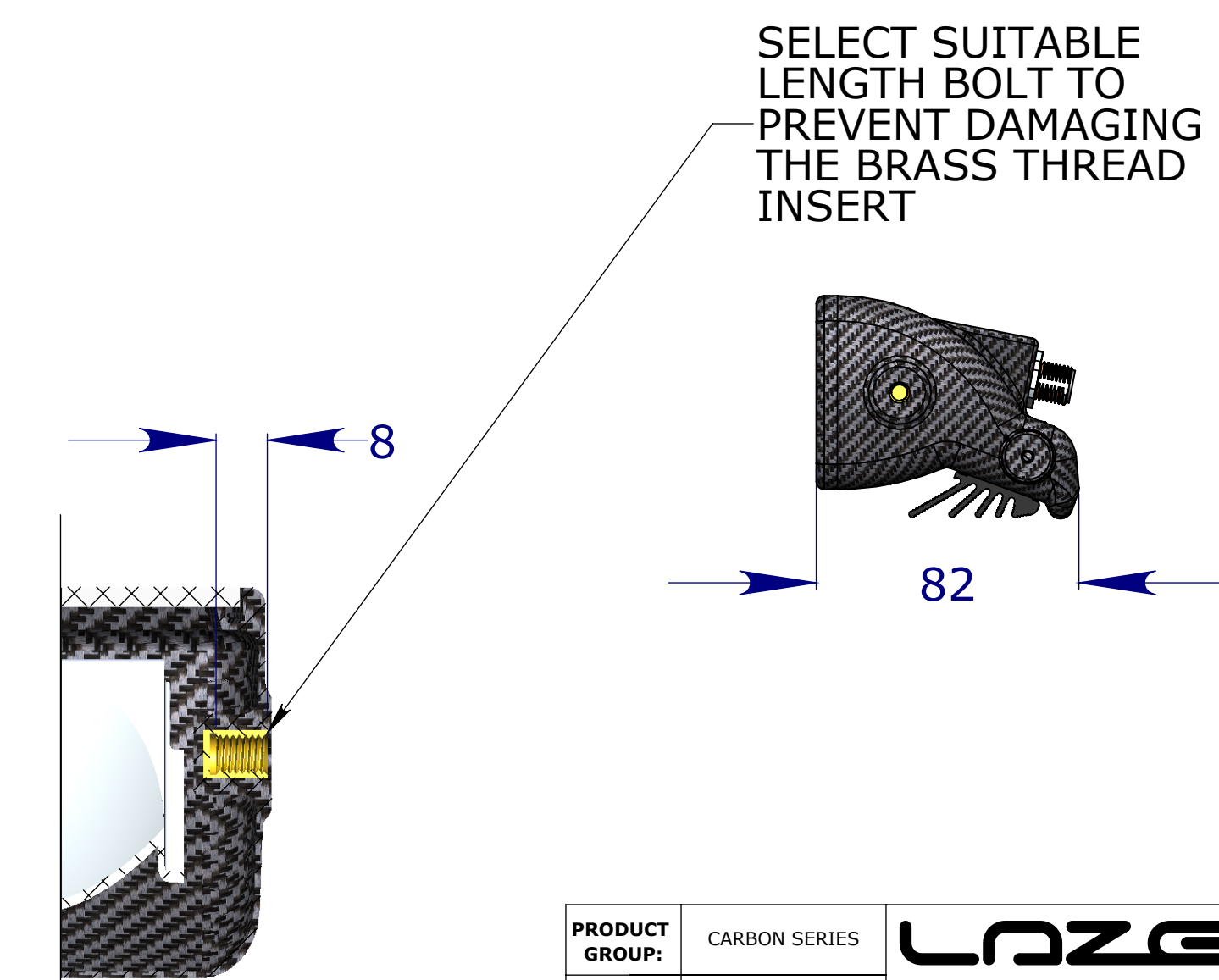
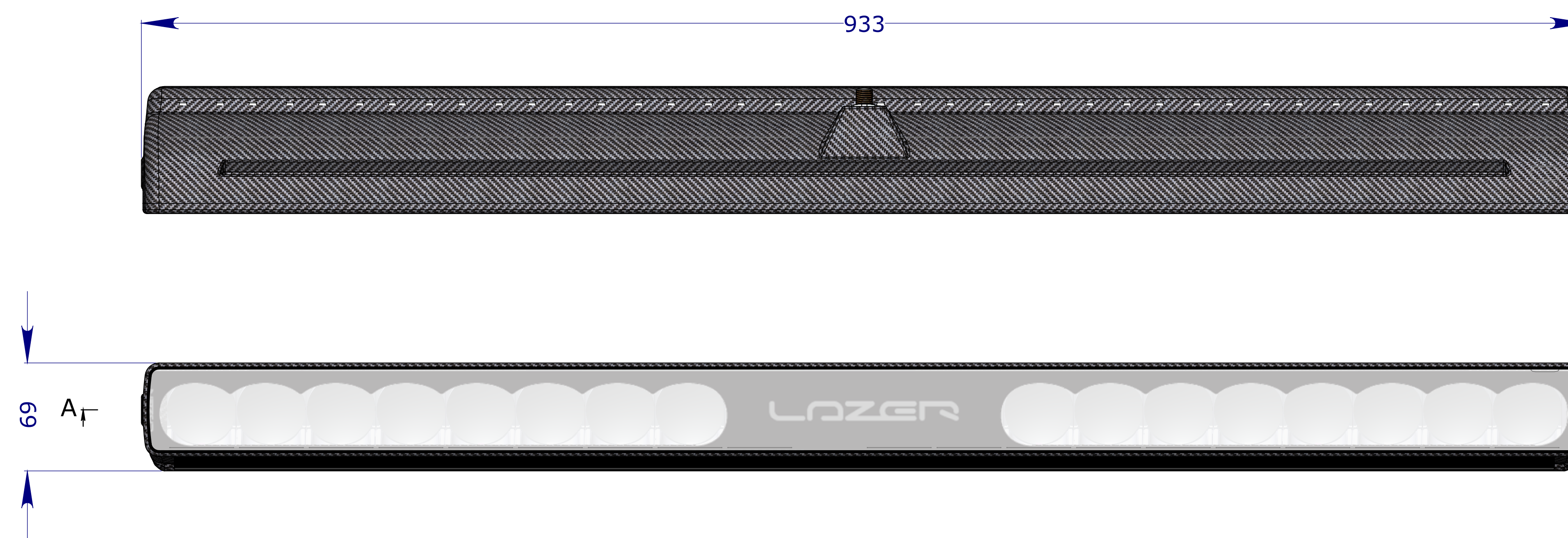
- VOLTAGE RANGE 9-32V

**THERMAL CONTROL**

- DYNAMIC DRIVE CURRENT MODULATION TO OPTIMISE LIGHT OUTPUT CONSIDERING ENVIRONMENTAL CONDITIONS

**PACKAGING REQUIREMENTS**

- 2MM AIR GAP ALL ROUND
- THROUGH AIR FLOW REQUIRED (2M/S MIN RECOMMENDED)



SECTION A-A  
 SCALE 1 : 1

PRODUCT GROUP:	CARBON SERIES	<b>LAZER</b>	NAME:	G. BAILEY	DATE:	23-02-17	PROJECT:	CARBON SERIES
PROCESS:	2 PAGES OLD MILL, TAMWORTH RD, HERTFORD, Herts, UK. TEL: 01928 827071 WWW.LAZERLAMPS.COM	PROPRIETARY & CONFIDENTIAL	CHECKED BY:	G. BAILEY	23-02-17	APPROVED BY:	G. BAILEY	23-02-17
UNLESS STATED OTHERWISE ALL TOLERANCES TO BE:	ANGLES: X.X = 1.0° X.XX = 1.0° X.XXX = 0.1° DECIMALS: X.X = 0.4 X.XX = 0.2 X.XXX = 0.05 BREAK ALL SHARP INTERNAL AND EXTERNAL EDGES 0.2 RAD OR CHAMFER	THE INFORMATION CONTAINED IN THIS DRAWING IS THE SOLE PROPERTY OF LAZER LAMPS LTD. ANY REPRODUCTION IN PART OR AS A WHOLE WITHOUT THE WRITTEN PERMISSION OF LAZER LAMPS LTD IS PROHIBITED	WEIGHT (g):	THIRD ANGLE PROJECTION	DRAWING NO.:	REV:	SCALE:	SHEET:
						1	1:2	1 OF 1